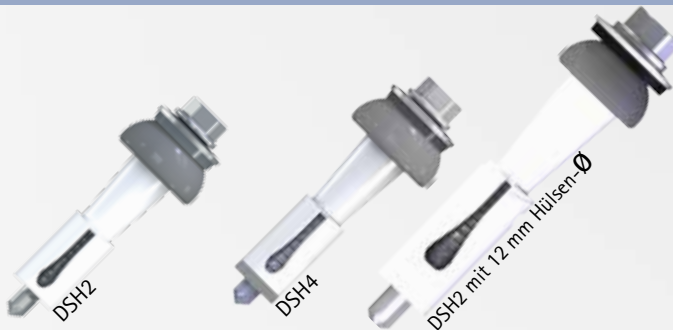


REISSER distance set

For fastening corrugated and trapezoidal light panels onto steel substructure



- For light panels with thickness 1-2 mm
- No pre-drilling of the substructure
- Glass fiber reinforced expanding sleeve
- Bimetal self-drilling screw RP-K-5,5 x 50 E16 for steel substructure up to 5,25 mm // Bimetal self-drilling screw RP-K-6,3 x L E19 for steel substructure up to 6,0 mm
- EPDM umbrella sealing Ø 19 mm // Ø 24 mm
- Drive SIT®20/TX 20 // A/F3/8 (DSH2-12 steel)



Designation	Profile height mm	Panel thickness mm	Sleeve D Ø mm	Screw d Ø mm	Screw length L mm	Item No.	Pack
DSH2-Steel	17-20	1-2	10	5,5	50	4005674 604536 00DSH2B197-0550502-1	100
DSH4-Steel*	21-24	1-2	10	5,5	50	4005674 70266 9 00DSH4B197-0550502-1	100
DSH2-Steel	29-33	1-2	12	6,3	70	4005674 69424 7 00DSH2B197-1200302-1	100
DSH2-Steel	34-38	1-2	12	6,3	85	4005674 69426 1 00DSH2B197-1200352-1	100
DSH2-Steel	39-43	1-2	12	6,3	85	4005674 69428 5 00DSH2B197-1200402-1	100
DSH2-Steel	44-48	1-2	12	6,3	85	4005674 69431 5 00DSH2B197-1200452-1	100
DSH2-Steel	49-53	1-2	12	6,3	85	4005674 67807 0 00DSH2B197-1200502-1	100

*Please note the delivery time!



- DSH5 for light panels with thickness 3 mm
- No pre-drilling of the substructure
- Glass fiber reinforced expanding sleeve
- Bimetal self-drilling screw RP-K-5,5 x 50 E16 for steel substructure up to 5,25 mm
- EPDM umbrella sealing Ø 19 mm
- Drive A/F 8



Designation	Profile height mm	Panel thickness mm	Sleeve D Ø mm	Screw d Ø mm	Screw length L mm	Item No.	Pack
DSH5-Steel	17-20	max. 3	10	5,5	50	4005674 70270 6 00DSH5B197-0550502-1	100



Pre-drilling of the profile with REISSER step drill (Item No. 00A423S010-512040L-2)



Ø 12 mm

Technical information:

- For panels with more than 2 mm material thickness we recommend:
 - steel substructure: RP-K-6,3 x 85 E16 + appropriate saddle washet
- Please pay attention to the regulations of the manufacturers
- Extraction force steel substructure according to technical approval Z-14.1-4

