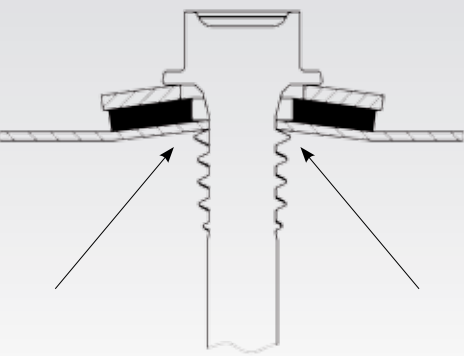




REFABO Plus Sandwich

The versatile bimetal screw for fastening sandwich panels with double-thread beneath the head against deformation of the upper shell during the screw-process



Double-thread beneath the head

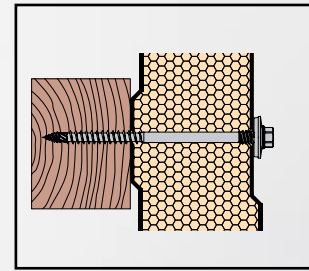
- Presses the cover sheet twice as strong against the EPDM sealing washer
- Reliably and permanently tight
- No buckling formation during the wall assembly

REFABO Plus Sandwich

REFABO Plus

RP-TD-P-6,0 x L

- Chipless fastening of sandwich elements onto timber substructures
- Reduced splitting effect of timber due to patented drill element
- Thread beneath the head for permanent tightness
- Component 1 steel sheet from 0,4 – 0,75 mm
- Component 2 timber, minimum screw-in depth 42 mm

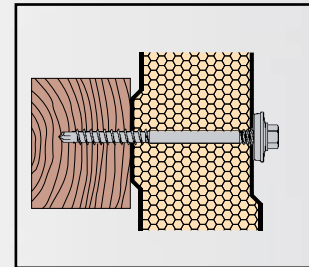


Designation	Ø d x L mm	Washer EPDM Ø	grip thickness mm	
RP-TD-P-	6,0 x 99 - 320	E16/E19/E22	46 - 245	

REFABO Plus

RP-r-P-6,0 x L

- For fastening sandwich elements onto timber and steel substructures
- With captive sealing washer stainless steel A2/EPDM
- Reduced drilling point for trapezoidal and sandwich elements
- Thread beneath the head for permanent tightness
- Component 1 steel sheet from 0,4 – 1,0 mm
- Component 2 timber, minimum screw-in depth 36 mm, steel 1,5 – 2,0 mm

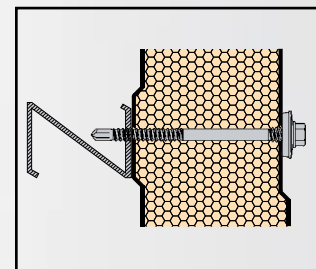


Designation	Ø d x L mm	Washer EPDM Ø	grip thickness mm	
			timber	steel
RP-r-P-	6,0 x 78 - 235	E16/E19/E22	36 - 187	40 - 206

REFABO Plus

RP-K-P-5,5 x L

- For fastening sandwich elements onto steel substructures
- With captive sealing washer stainless steel A2/EPDM
- Thread beneath the head for permanent tightness
- Component 1 steel sheet from 0,4 – 1,0 mm
- Component 2 steel substructure 1,5 – 5,25 mm

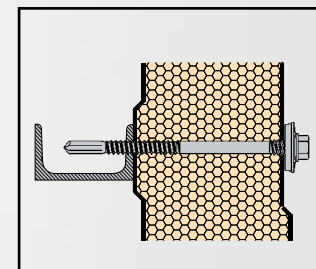


Designation	Ø d x L mm	Washer EPDM Ø	grip thickness mm
RP-K-P-	5,5 x 69 - 282	E16/E19/E22	39 - 255

REFABO Plus

RP-K12-P-5,5 x L

- For fastening sandwich elements onto steel substructures
- With captive sealing washer stainless steel A2/EPDM
- Thread beneath the head for permanent tightness
- Component 1 from 0,4 – 1,0 mm
- Component 2 steel substructure from 4,0 – 12,0 mm



Designation	Ø d x L mm	Washer EPDM Ø	grip thickness mm
RP-K12-P-	5,5 x 76 - 289	E16/E19/E22	39 - 255

