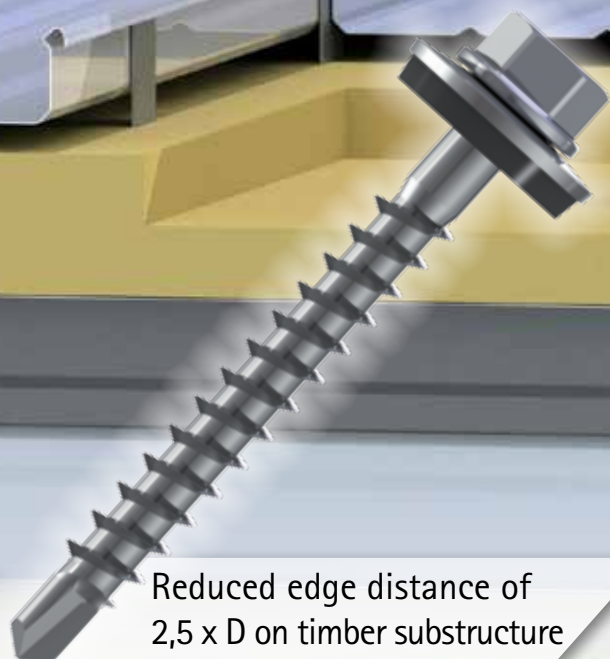


NEW

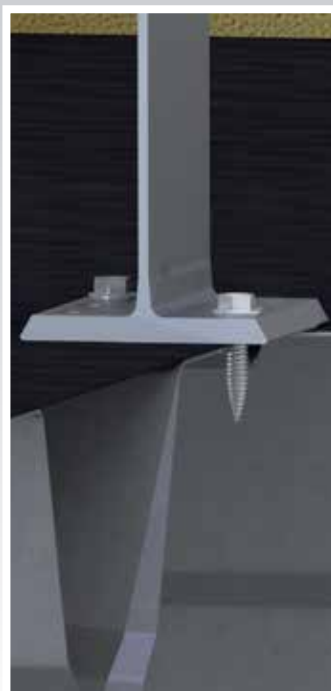


Reduced edge distance of
2,5 x D on timber substructure



Up to 550 kg
tension force per clip

With technical
approval



The new generation

of fastening aluminum and GRP standing seam clips

- Chipless fastening
- High processing security by overwinding protection
- 50% time saving
- Doubling of the possible load per clip



The new generation

of fastening aluminum and GRP standing seam clips



Thin sheet screw
with locking serration
RP-T2-X-6,0



Aluminum standing seam clip



steel substructure up to 1,25 mm
aluminium substructure up to 1,5 mm



Thin sheet screw
RP-T2-6,0 x L E16



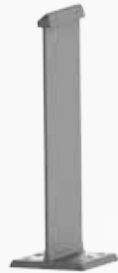
GRP standing seam clip



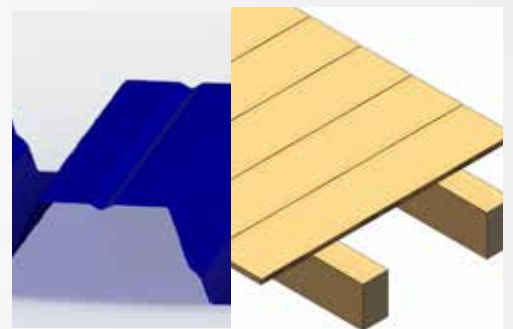
steel substructure up to 1,25 mm
aluminum substructure up to 1,5 mm



REFABO Plus
RP-r-6,0 x L



Aluminum standing seam clip



steel substructure up to 1,5 mm
aluminum substructure up to 2,0 mm
solid timber, OSB or t&tg timber substructure reduced edge distance =2,5 x 6 mm=15 mm



REFABO Plus
RP-r-6,0 x L E16



GRP standing seam clip