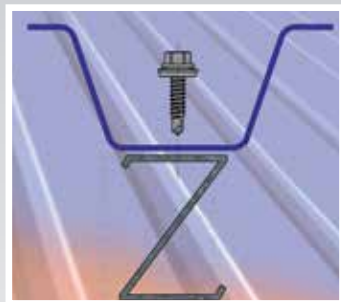
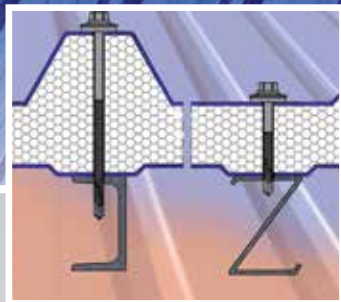


Your facade,
our screw-
that works



REISSER REFABO Plus

With technical
approval

The versatile bimetal screw for facades

- Screw with integrated tool
- 50 % time saving
- Bimetal (stainless steel A2/carburized carbon steel)
- Best corrosion protection

REISSER-Schraubentechnik GmbH
Fritz-Müller-Str. 10 • D-74653 Ingelfingen-Criesbach
Fon: +49 7940/127-160 • Fax: +49 7940/127-123

produktion@reisser-screws.com • www.reisser-screws.com

REISSER
SCHRAUBENTECHNIK



REFABO

REisser **F**Assaden-**B**ohrschraube

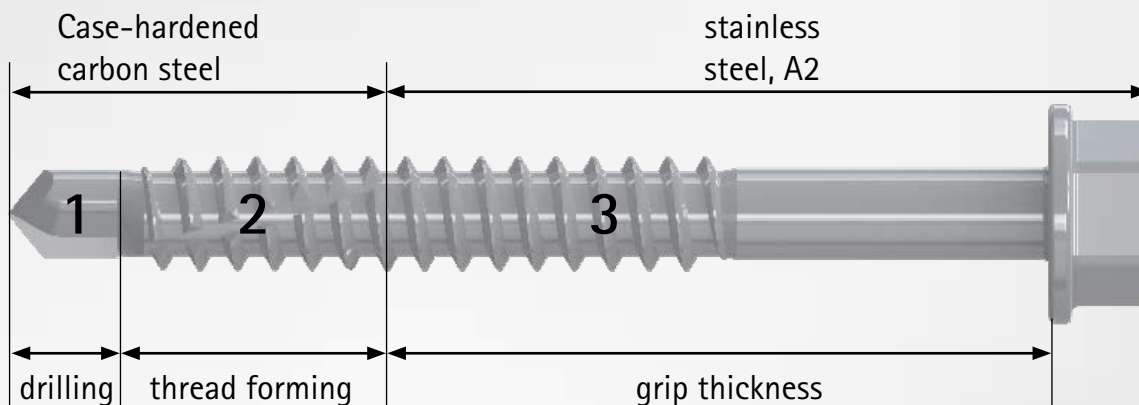


All in one:
Drilling - self-tapping -
fastening - sealing

- 50 % time saving
- Reduction of tool costs
- High safety

REFABO Plus

Facade self-drilling screw of bimetal (stainless steel A2 with a case-hardened carbon steel drilling point).



Section 1 + 2: The tool – drilling point with forming thread of case-hardened carbon steel.

Section 3: Support thread and head made of stainless steel A2. Fastening may only take place in this section.

The case-hardened carbon steel part (section 1+2) is connected break-proof to the stainless steel part (section 3) by a patented welding process.

The REFABO Plus is ideally suitable for use in the fastening of steel, aluminium sheet profiles and sandwich elements onto steel and timber substructure with a processing speed between 1200 and 1800 rpm.