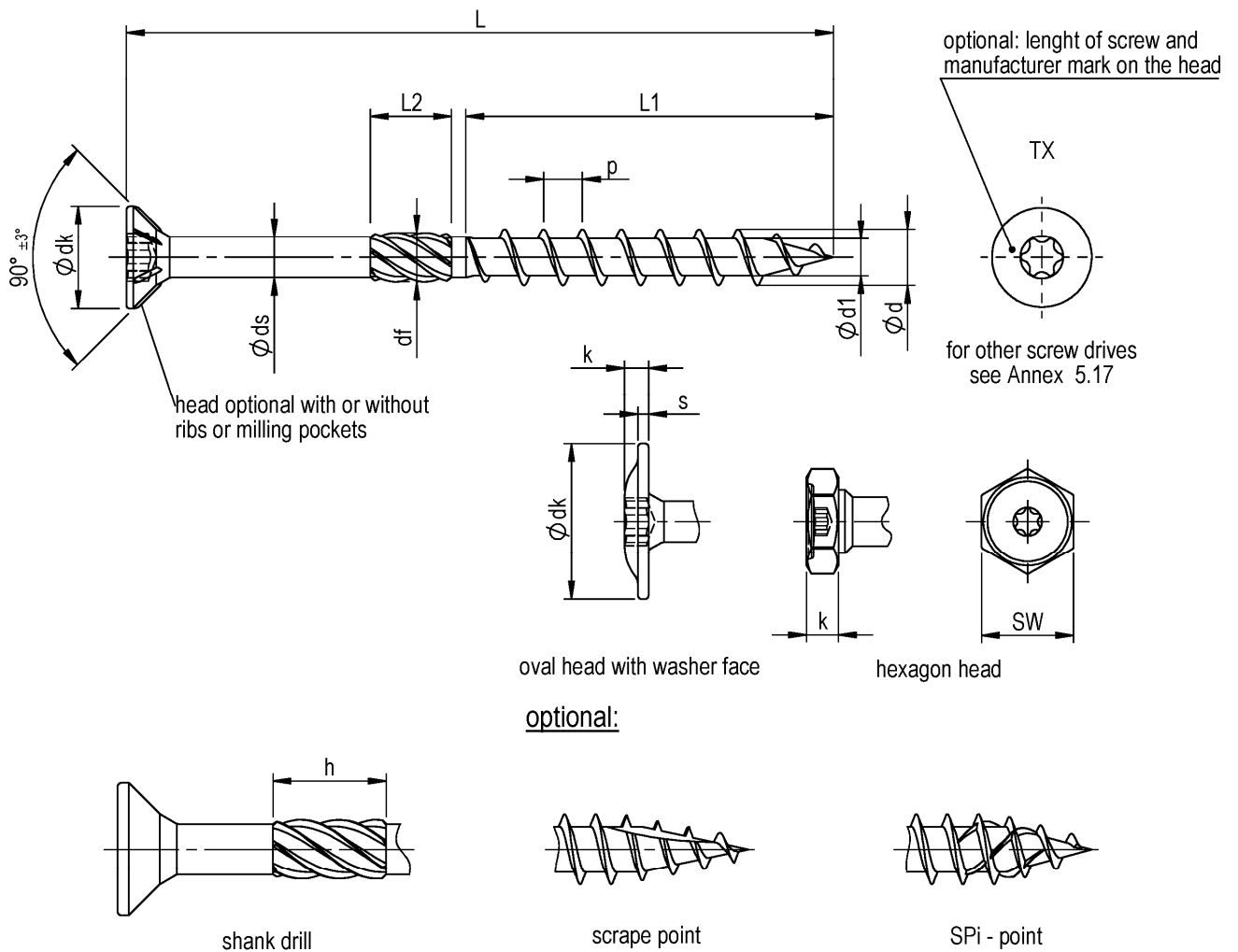


English translation prepared by DIBt



HBS, TKS and Vi-Port screws with coarse thread						head shapes					
thread dimensions				shank drill		countersunk head	oval head with washer face			hexagon head	
$\varnothing d_{-0,3}$	$\varnothing d1 \pm 0,3$	$\varnothing ds \pm 0,2$	$p \pm 10\%$	$\varnothing df \pm 0,3$	$L2 \pm 2$	$\varnothing dk \pm 0,6$	$\varnothing dk \pm 1,0$	$k \pm 0,3$	$s \pm 0,3$	SW	$k \pm 1,0$
8,0 <sup>+0,2</sup>	5,2	5,8	5,5	7,0	12,0	14,5	20	4,0	1,6	12	4,5
10,0 <sup>+0,2</sup>	6,25	7,0	6,6	8,25	12,0	17,8	24	4,8	2,0	15	5,5
12,0 <sup>+0,2</sup>	7,12	8,2	6,8	9,5	12,0	20,0	30	5,5	2,4	17	6,5

nominal length L	$\varnothing 8,0$	$\varnothing 10,0$	$\varnothing 12,0$
	L1	L1	L1
70 - 120 -1,75	60 ± 1,5		
121 - 500 -2,5	80 ± 1,5		

REISSER screws

HBS, TKS and Vi-Port screws coarse thread made of carbon steel

Annex 5.9