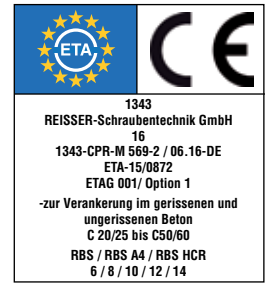


Installation instructions

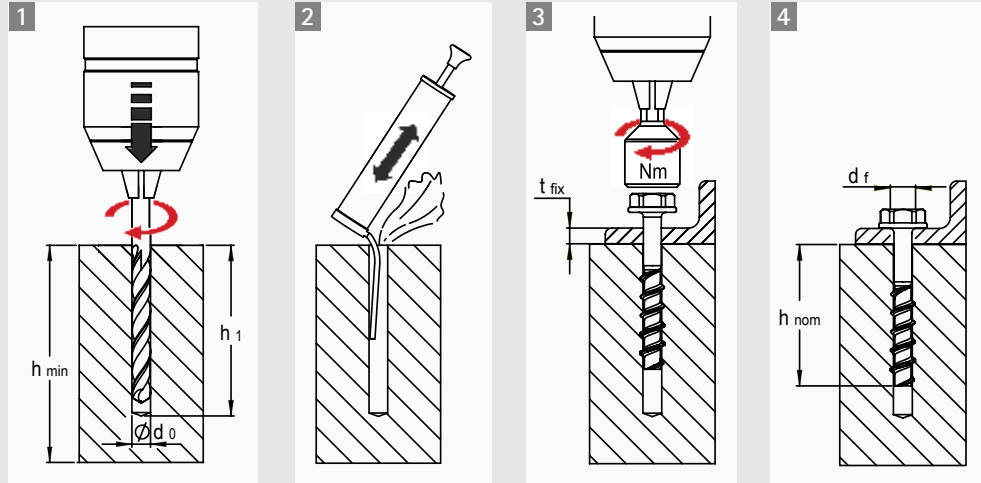
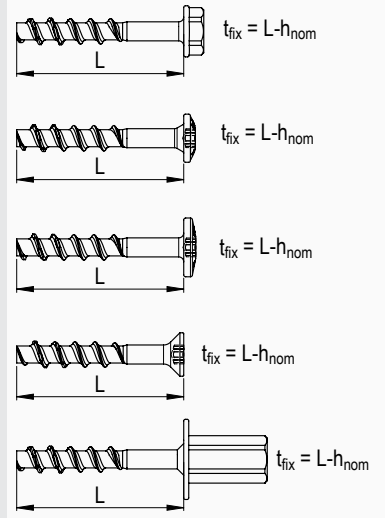
RBS concrete screw

5, 6, 8, 10, 12, 14

Steel / A4 / HCR

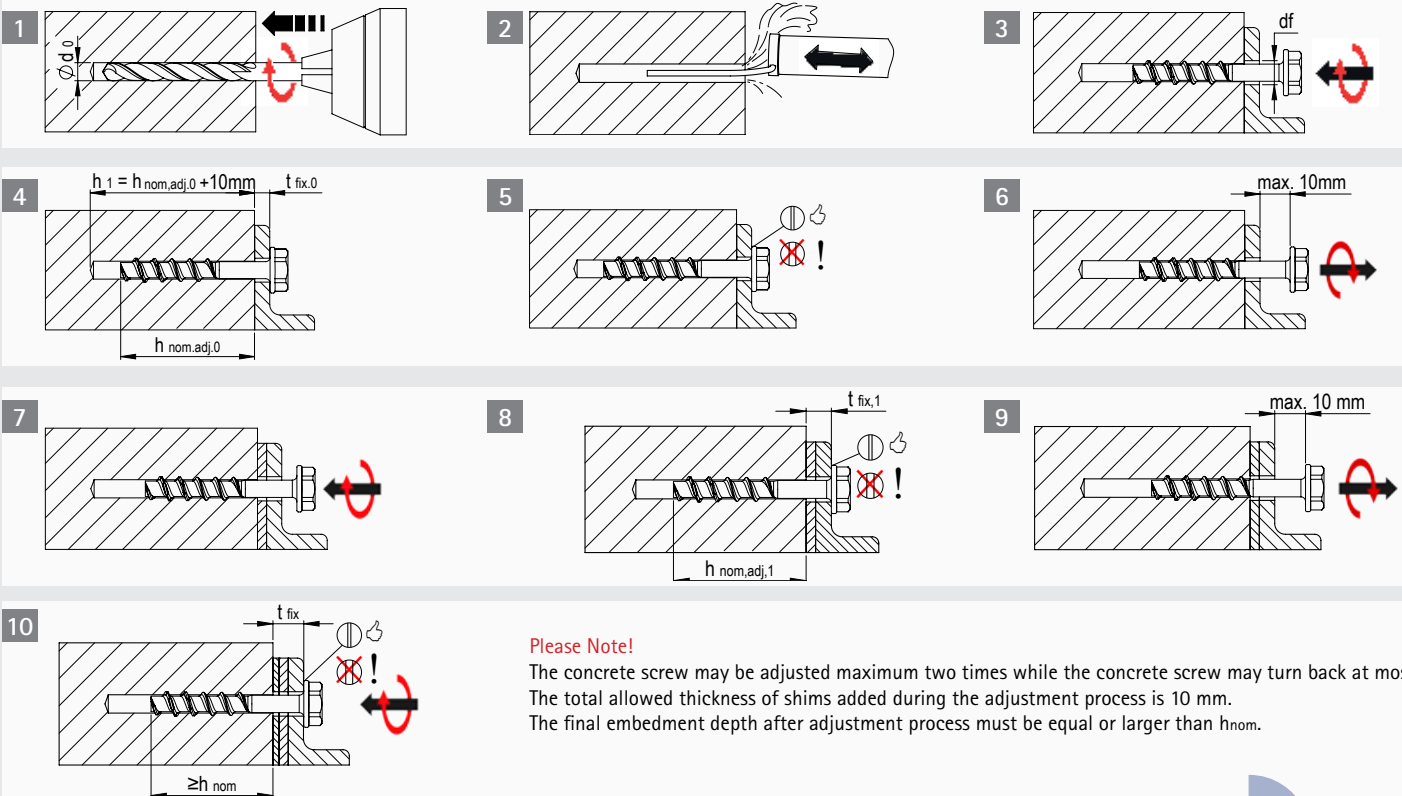


Download: <http://www.reisser-screws.com/download/zulassungen>



Size [mm]	Ø d ₀ [mm]	Ø d _f [mm]	h _{nom,1} min. [mm]	h _{1,1} min. [mm]	h _{min,1} min. [mm]	h _{nom,2} min. [mm]	h _{1,2} min. [mm]	h _{min,2} min. [mm]	h _{nom,3} min. [mm]	h _{1,3} min. [mm]	h _{min,3} min. [mm]	T _{inst} [Nm]	max. torque [Nm]
RBS 5	5	7	35	40	80	-	-	-	-	-	-	8	140
RBS 6	6	8	35	40	80	40	45	100	55	60	100	10	160
RBS 8	8	12	45	55	100	55	65	100	65	75	120	20	300
RBS 10	10	14	55	65	100	75	85	130	85	95	130	40	400
RBS 12	12	16	65	75	120	85	95	130	100	110	150	60	500
RBS 14	14	18	75	85	130	100	110	150	115	125	170	80	500

Installation instructions for adjustability, sizes 8-14



Please Note!

The concrete screw may be adjusted maximum two times while the concrete screw may turn back at most 10 mm. The total allowed thickness of shims added during the adjustment process is 10 mm. The final embedment depth after adjustment process must be equal or larger than h_{nom}.