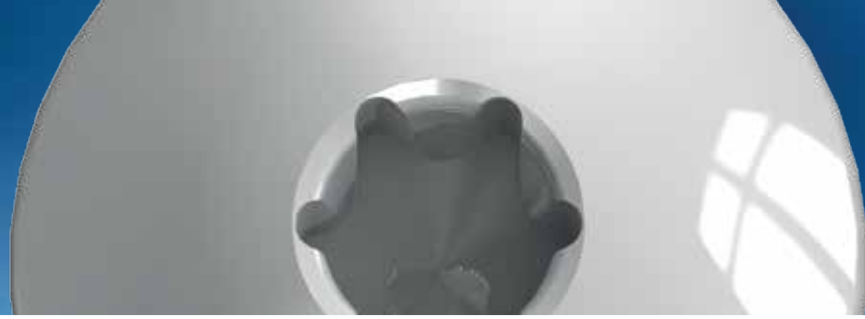


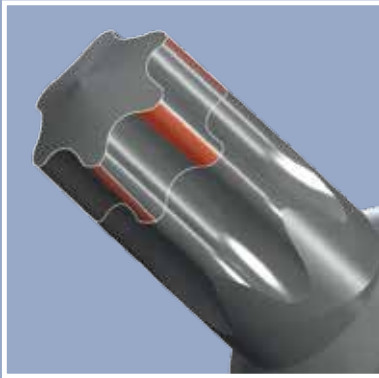
SIT[®] drive

the most comfortable and safest screw drive

- perfect matching
- no slipping while screwing
- maximum power transmission
- no over tightening of the drive

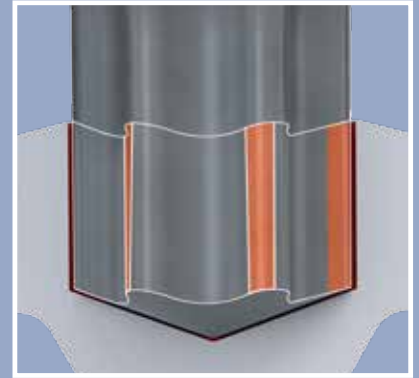


TX drive



The TX drive possesses a cylindrical core. There are six contact areas to transmit the power. However the bit is not centered perfectly in the drive, which causes a high tumbling motion of the tool. Especially for drilling screws, for which an exact matching of the drive is important, the TX drive is not suitable.

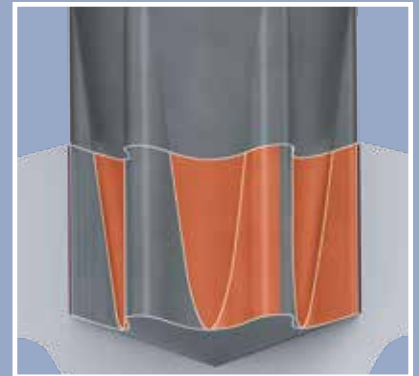
The contact areas which transmit the power are marked with red colour.



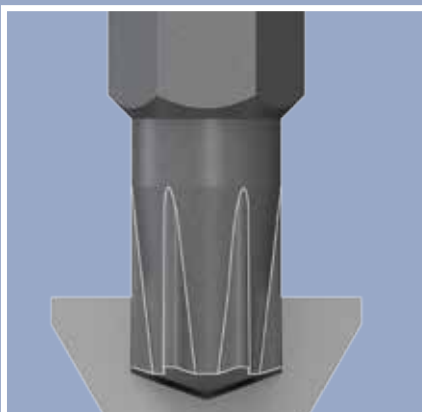
The better choice: SIT® drive



The SIT® drive connects the power of a cross slot (conical core) with the one of the TX drive (big power contact surfaces). Thanks to the drive wings and to the conical core, the tool is centered exactly in the screw. The screw can also be set on the bit and be processed easily without anchoring. At the same time a maximum power transmission is achieved by the six big power contact areas. The even force distribution prevents an over tightening or a slip of the bit.

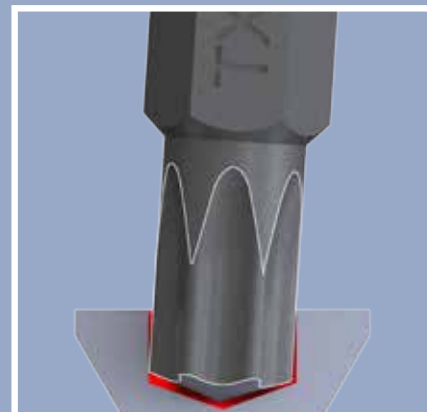


Comparison: Fitting of the two drives in the screw



SIT® drive

Tight and exact fit based on the cone shape



TX drive

Loose fit of the bit, the screw tumbles.